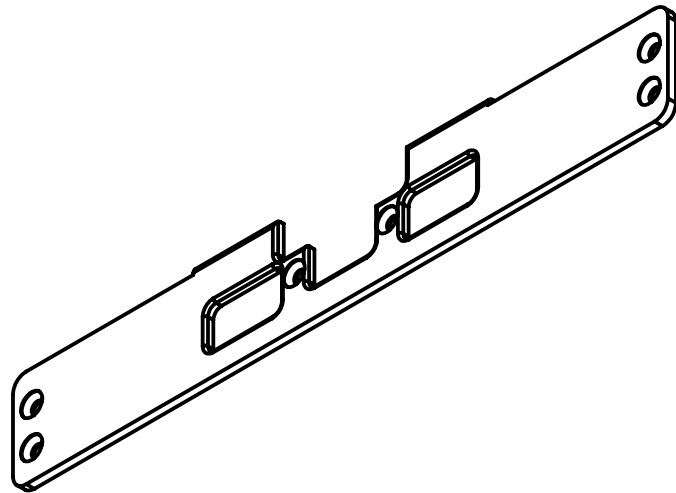
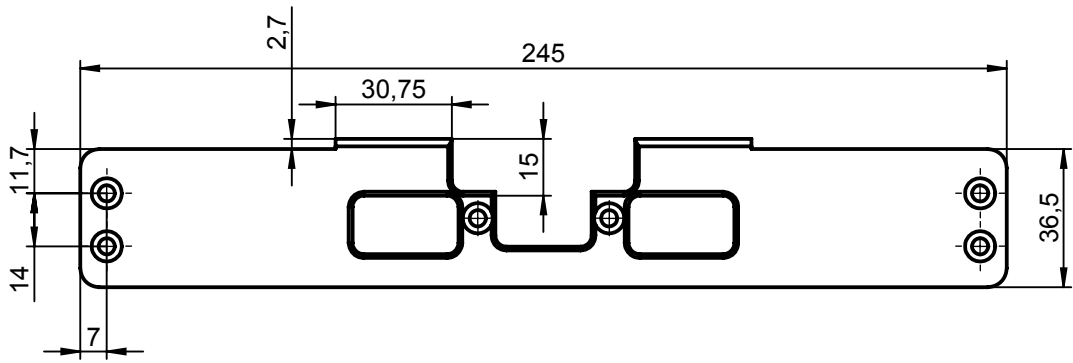


This document is our property and shall not without our permission be altered, copied, used for manufacturing or communicated to any other person or company.



Surface:			Material:			General tolerance: ISO 2768-fH		
Volume: 21359.54 mm ³	Weight: 21.36 gram	Surface area: 16835.69 mm ²	created: 2013-06-27	designed by: JoEr	changed by: JoEr	Scale: 1:5 (A4)	Projection:	
ASSA ABLOY ASSA AB			Mounting component 940 710.500-00-35-1-1000			Drawing number: 01 000056004 1 <small>is the valid ID if displayed</small>		
						Document: 01	Item number: 000056004	Revision: 1